



Overview of Rockhound – Longshore 345 kV Double-Circuit Line

ERCOT RPG Meeting

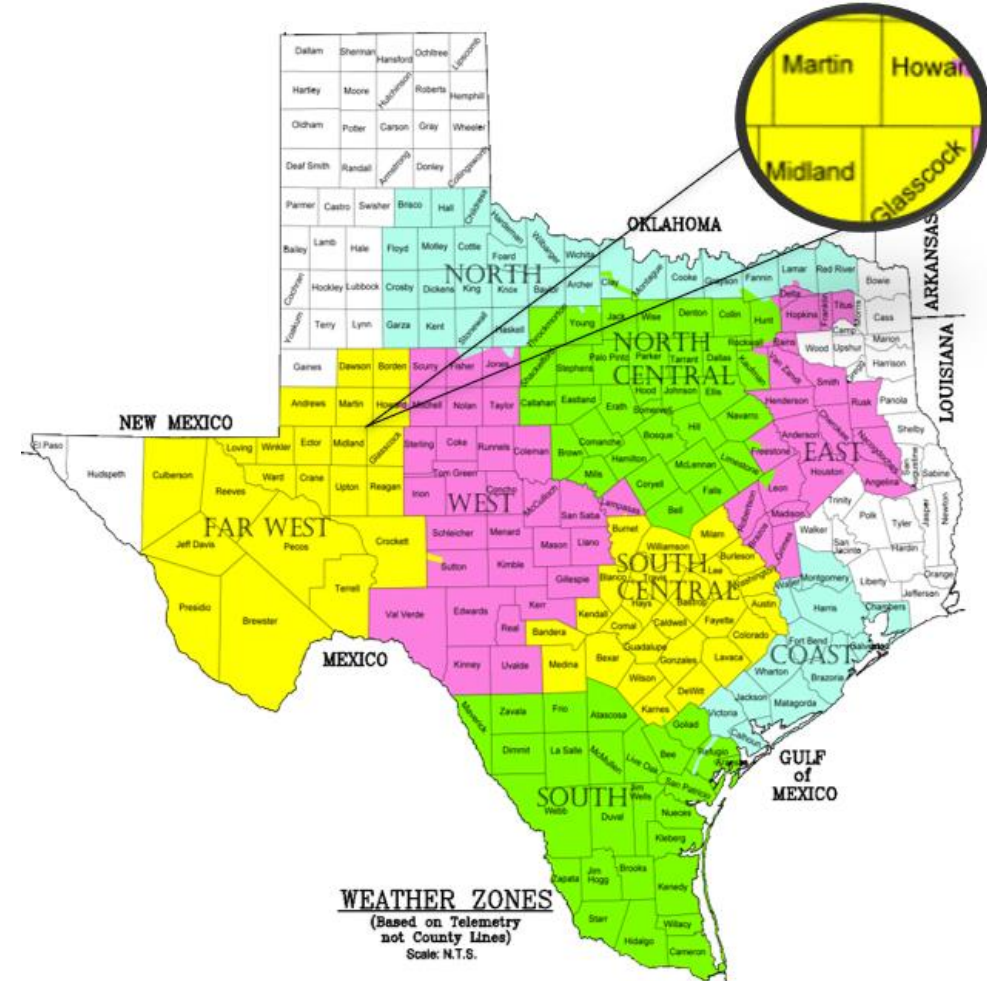
6/22/2026

Eduardo Escamilla Jr.

Project Overview

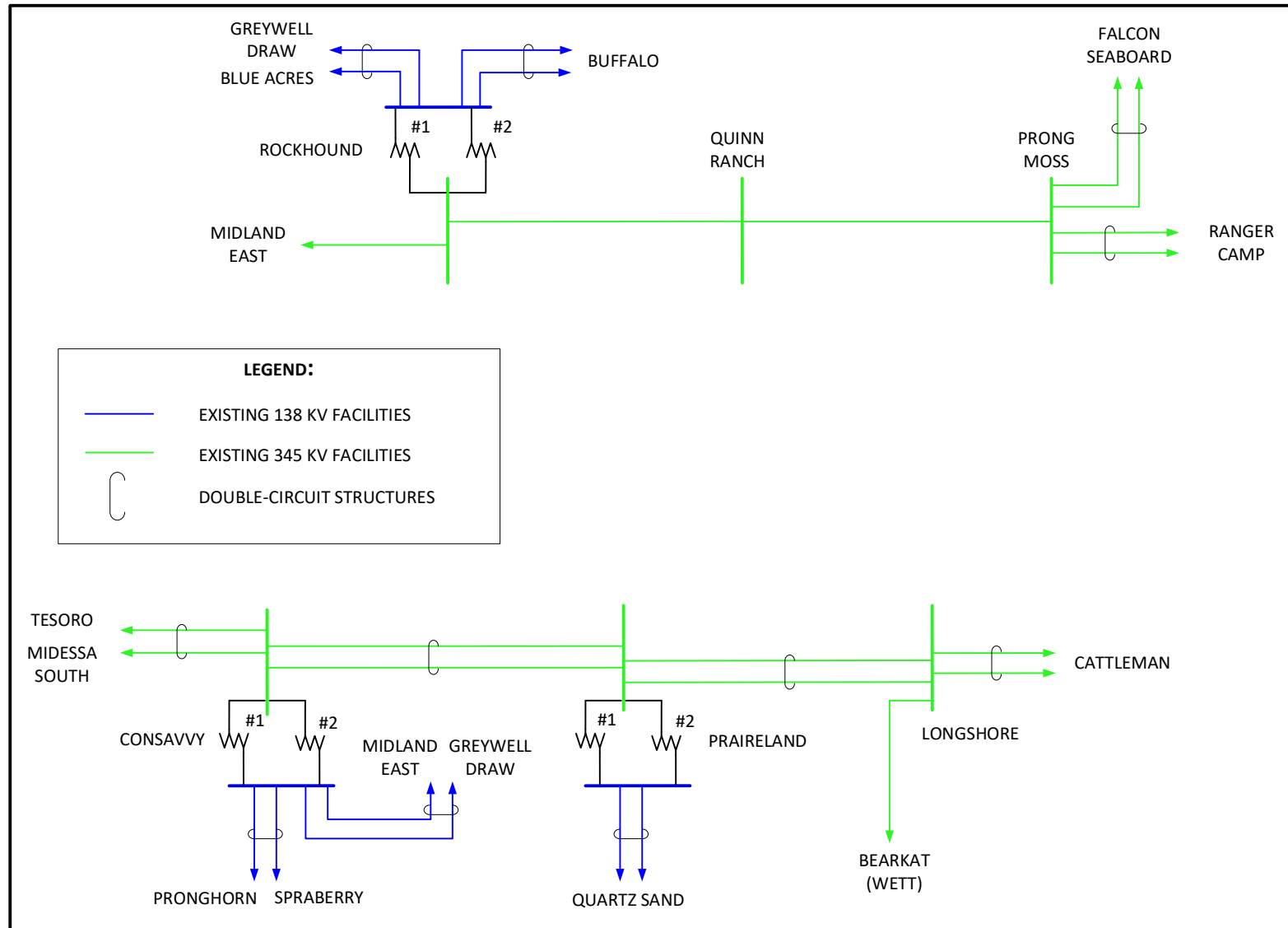


- Tier 2 Project in Midland, Martin, Glasscock, and Howard Counties
- P6 and EP6¹ contingencies cause severe planning criteria violations
- Oncor proposes the following system upgrades to resolve the criteria violations:
 - 25.5 miles of greenfield 345 kV Double-Circuit transmission line
 - Terminal additions at two 345 kV stations
 - Total cost estimate of Proposed RPG Project: \$144 million

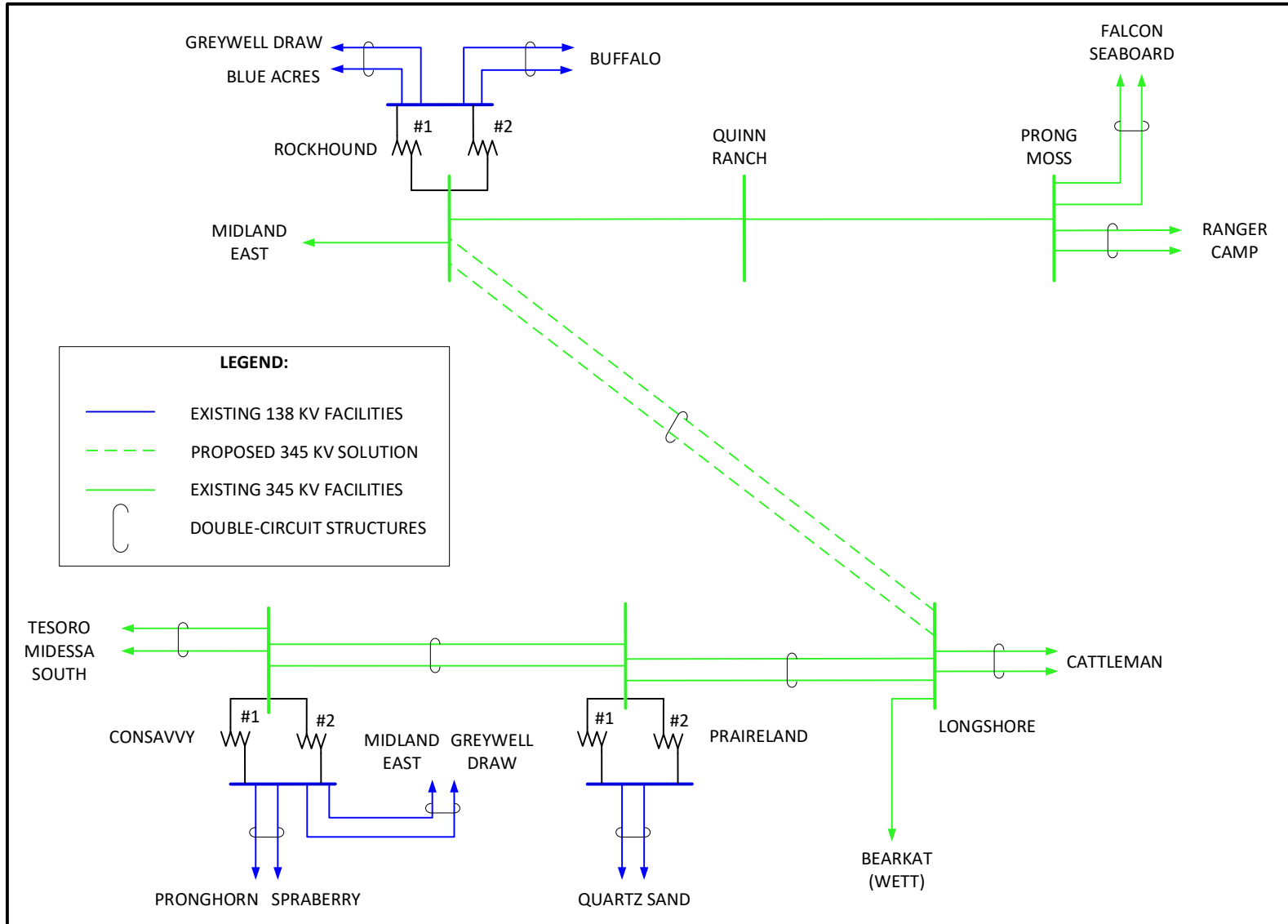


1. ERCOT Planning Guide 4.1.1.2 – Table 1: ERCOT-specific Reliability Performance Criteria, Row 3

Pre-Project One-line



Proposed RPG Project One-line



Progress

- Anticipating one CCN application/submittal (Tier 2)
- Construction expected to begin in 2028
- Anticipated to take 1 year to complete the entire scope of the Proposed RPG Project
- Proposed RPG Project comment period ended on 5/6/2026
- ERCOT Independent Review to be complete by 9/3/2026

Questions?

