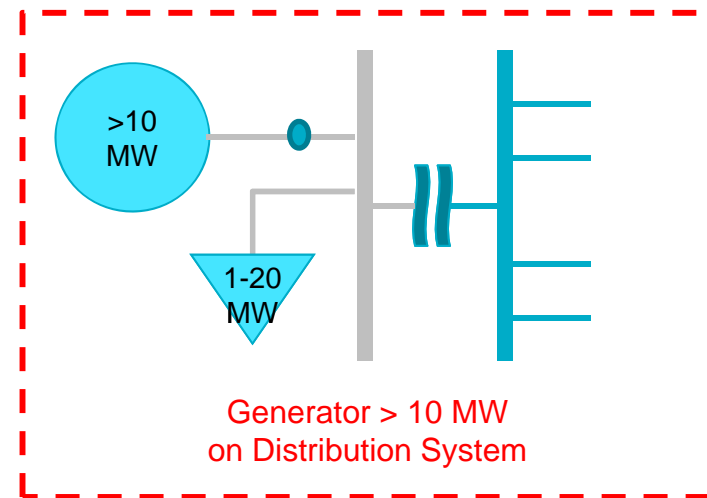
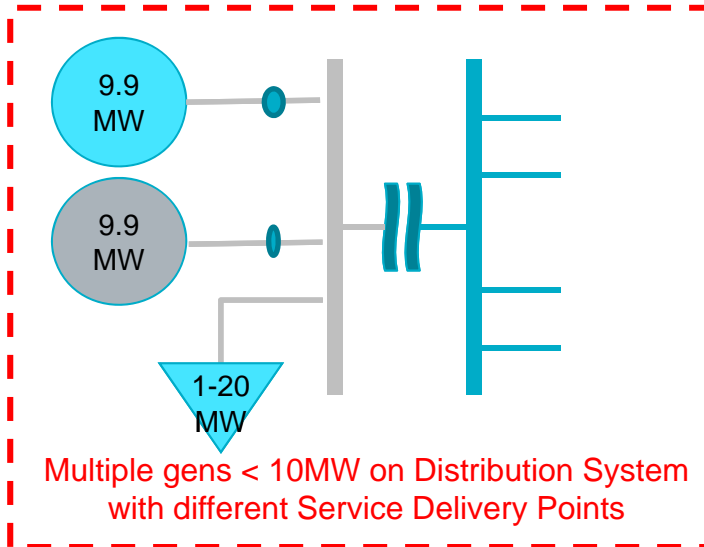
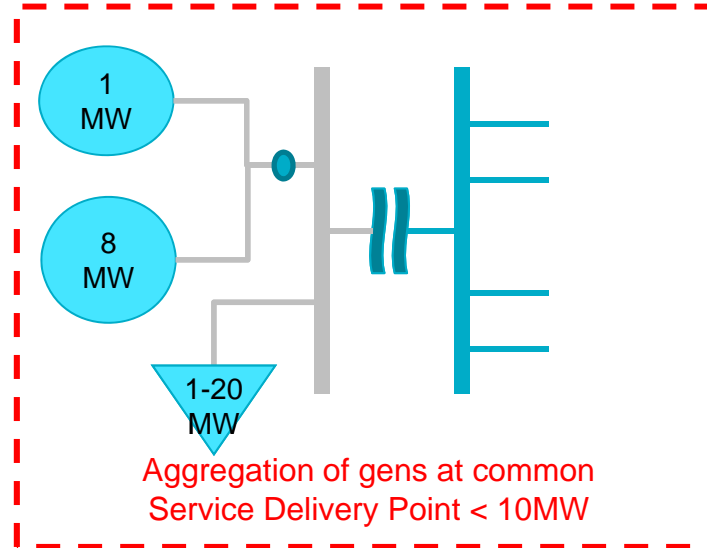
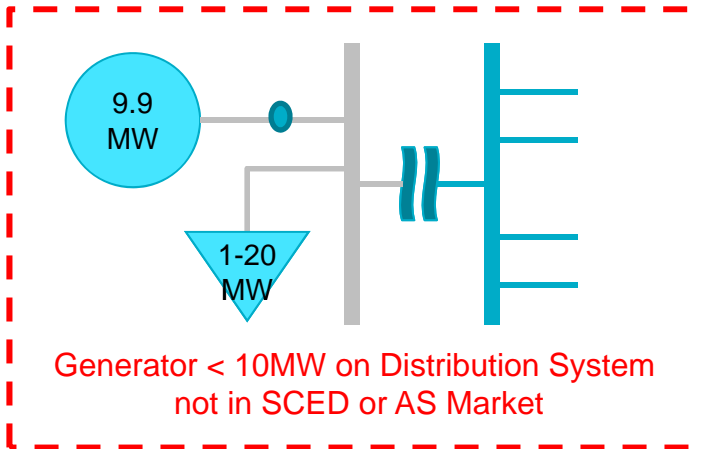


# Examples of Distribution Connected Resources



Note: Unregistered Generator < 1 MW on Distribution System not shown